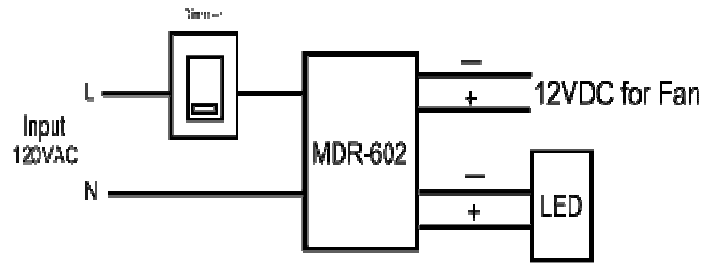


SPECIFICATIONS

Features

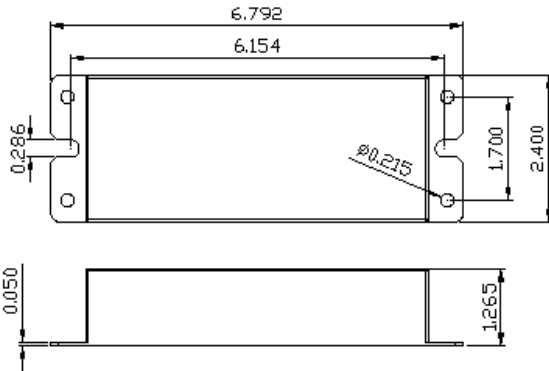
- Work for most 3-wire/2-wire dimmer
- Compact size
- Low profile
- Constant Current Output
- Active Power Factor
- Class II
- 5 Year Warranty

Wiring Diagram



Mechanical and Thermal

Dimensions L6.792"XW2.400"XH1.265"
 Lead Wire Length 6" (Standard)
 Max. Case Operation Temp. 80°C



* Dimension in Inch

Protection

- Auto-reset electronic short circuit
- Overload protection
- Thermal protection
- Class II
- Hot Wire Protection
- Fan Support (12Vdc AUX. Output)

Environmental Specifications

- MTBF >100,000 hrs
- RoHS Compliant
- Lead Free SMT process
- Power Factor Correction at Low Load

Electrical

Maximum Load	60W
Minimum Load	40W
Input Voltage	120V
Max Output Voltage/Current	28VDC/2100mA
Power Factor	>0.90
Max. Harmonic Distortion	<20%
Efficiency	80 typ.
No Load Loss	<1 W



Note –

1. UL file No. : E340871



Macron Associate Co. – Power Supply Team

NO.352, Peng-Yi Road, Taiping, Taichung, Taiwan 411

TEL: 886-4-22708357 FAX: 886-4-22767307 Email: macron@macrongroup.com

B1214